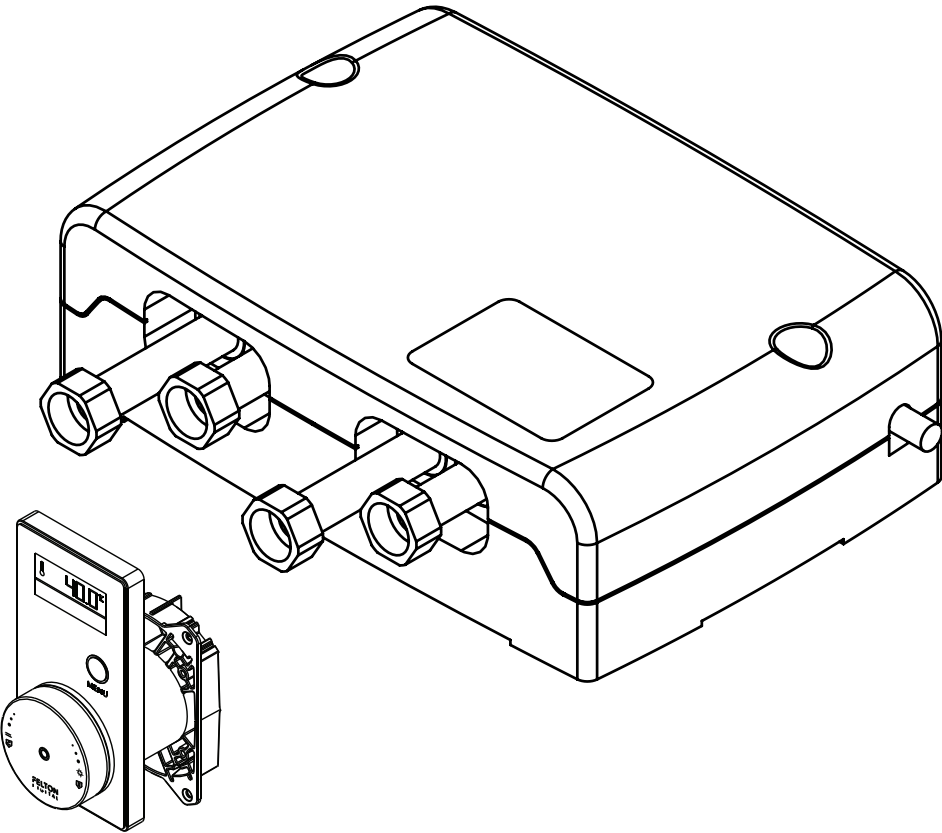


INSTALLATION GUIDE

AXISS

Smartview® Digital Thermostatic Shower Mixer

FD-SVCSMC



FELTON

CONTENT

Notice	5
Tools Required	5
Measurements	6
Scope of Application	7
Vision Wheel Interface Pre-Line Installation	8
Digital Mixer Installation	9
Vision Wheel Interface Final Fit Installation	14
Operational Test	19
Troubleshooting	20
Warranty	21
Processor Template	23

NOTICE

PLEASE READ THE MANUAL CAREFULLY BEFORE STARTING THE INSTALLATION. AFTER COMMISSIONING AND TESTING THE SYSTEMS FUNCTIONALITY, THIS DOCUMENT MUST BE GIVEN TO THE END USER OF THE SYSTEM.

PRODUCT TO BE DISCONNECTED BEFORE LINE TEST

In case of a power cut, the unit will remain inactive until the power is back on.

GENERAL

This installation manual contains instructions for the correct installation of the **Axiss Smartview** product. The warranty will be invalidated if the product is not installed according to these instructions.

Installation must be carried out by qualified installers in accordance to this installation manual. Country-specific standards, rules and safety regulation do apply.

PLACE OF INSTALLATION

The **Axiss Smartview** product must be installed in an accessible place and in accordance to this installation manual. This ensures a problem-free service and maintenance procedure.



DANGER OF ELECTRIC SHOCK! **ELECTRICAL INSTALLATION**

Before opening the housing, the mains connection must be switched off. Work on electrical parts and connections must be carried out by qualified electrician. Country-specific standards and regulations do apply.

PRECAUTIONS

1. This appliance is not intended for use by persons (including children) with reduced physical, sensory or mental capabilities, or lack of experience and knowledge, unless they have been given supervision or instruction concerning use of the appliance by a person responsible for their safety.
2. Children should be supervised to ensure that they do not play with the appliance.
3. If the supply cord is damaged, it must be replaced by the manufacturer, its service agent or similarly qualified persons in order to avoid a hazard.
4. This appliance contains battery that are only replaceable by skilled persons.
5. An electronic copy of the installation and user guides are available on the Felton website – please visit www.felton.co.nz

MAINTENANCE

Felton products are made of high quality materials and require only minimal maintenance. The following maintenance tips help to preserve the surface and prevent damage through incorrect cleaning. Fittings and control parts should be wiped dry after used. Only use mild cleaning products that contain soap. The following must not be used: Scourers, abrasive sponges, hydrochloric acid, lime, plaster or cement removers, solutions or cleaning agents containing acid (pH≤4), lime scale remover or vinegar-based cleaner – and cleaning agents where the chemical solution is not known which may be sold as special cleaner for fittings.

WATER PATH

Input	2× 1/2" BSP
Output	2× 1/2" BSP
Flow	max. 36 l/min at 300kPa
Pressure range	Min 150kPa - Max 500kPa
Difference of pressure	Max. 100 kPa/14.5psi
Maximum outlet temperature	45°C
Hot inlet temp range	55°C - 80°C
Cold inlet temp range	5°C - 25°C

ELECTRONICS

Power supply	100-240V AC/50–60 Hz
Power consumption Standby	< 0.5W, max. 45W

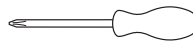
TOOLS REQUIRED



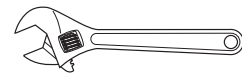
1. Pencil



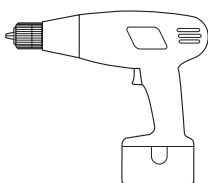
2. Drill bit ø8 mm



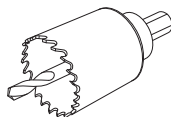
3. Crosshead screwdriver



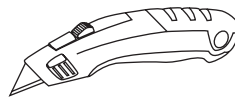
4. Spanner



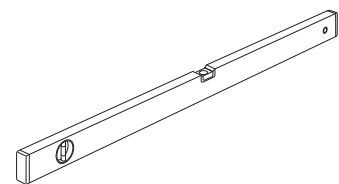
5. Drill



6. 70mm holesaw

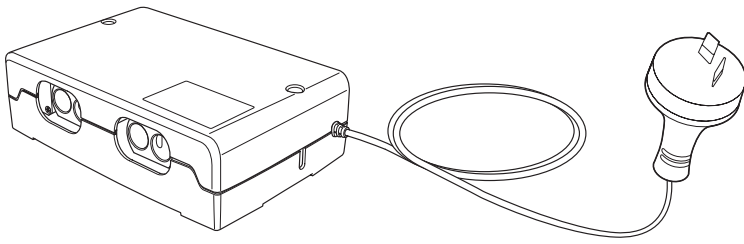


7. Utility knife

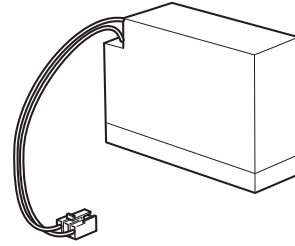


8. Spirit level

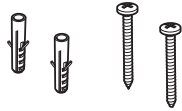
BOX 1 DIGITAL MIXER



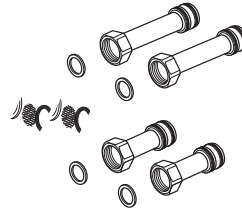
1. Temperature & Flow Control Unit



2. Back Up Battery

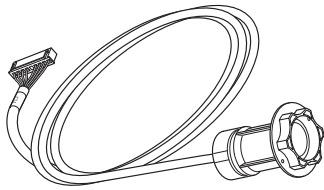


3. Set of Screws
2x 5x50mm

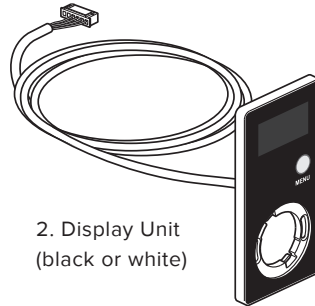


4. Connecting Adapters

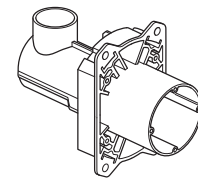
BOX 2 CONTROL UNIT



1. Control Housing & Data Cable

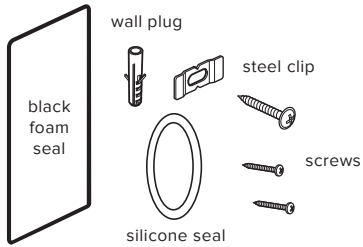


2. Display Unit
(black or white)

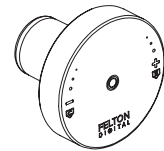


3. Control Mounting Tube

4. Fastening & Seal Kit

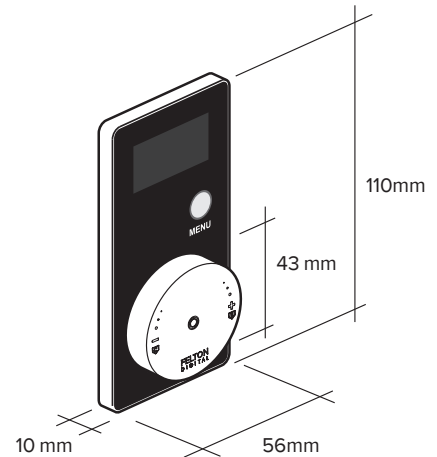
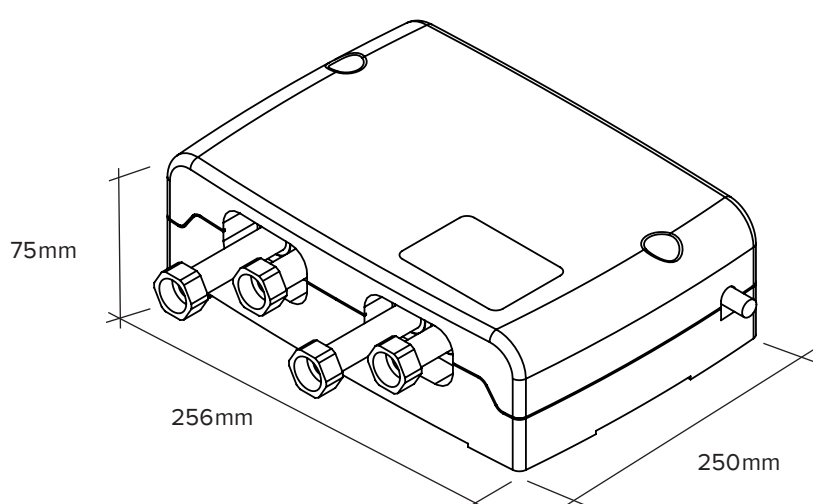


5. Set of Screws
6x 2.5x16mm



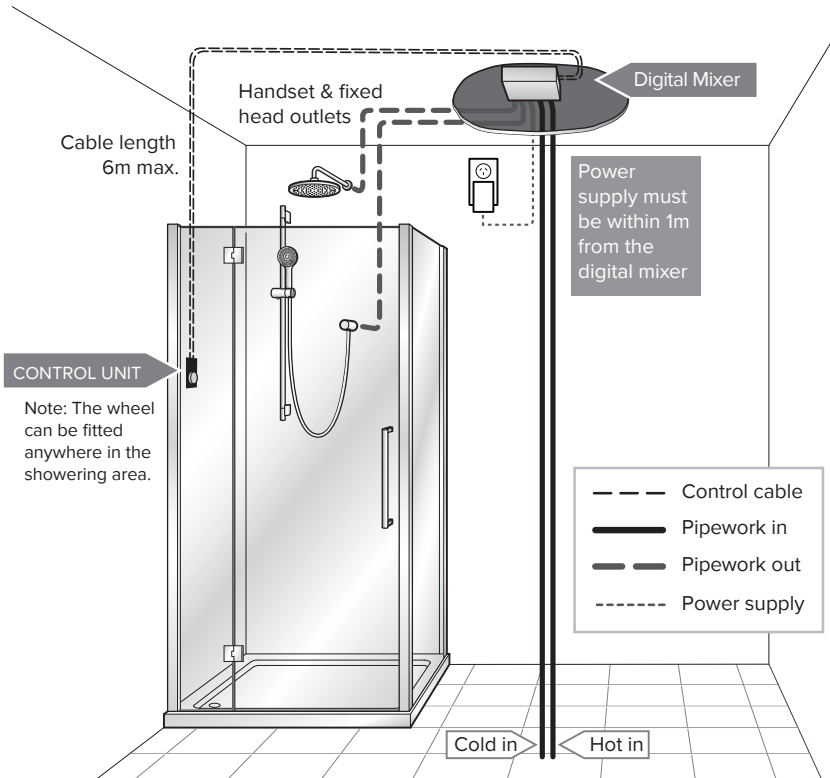
6. Control Wheel

MEASUREMENTS

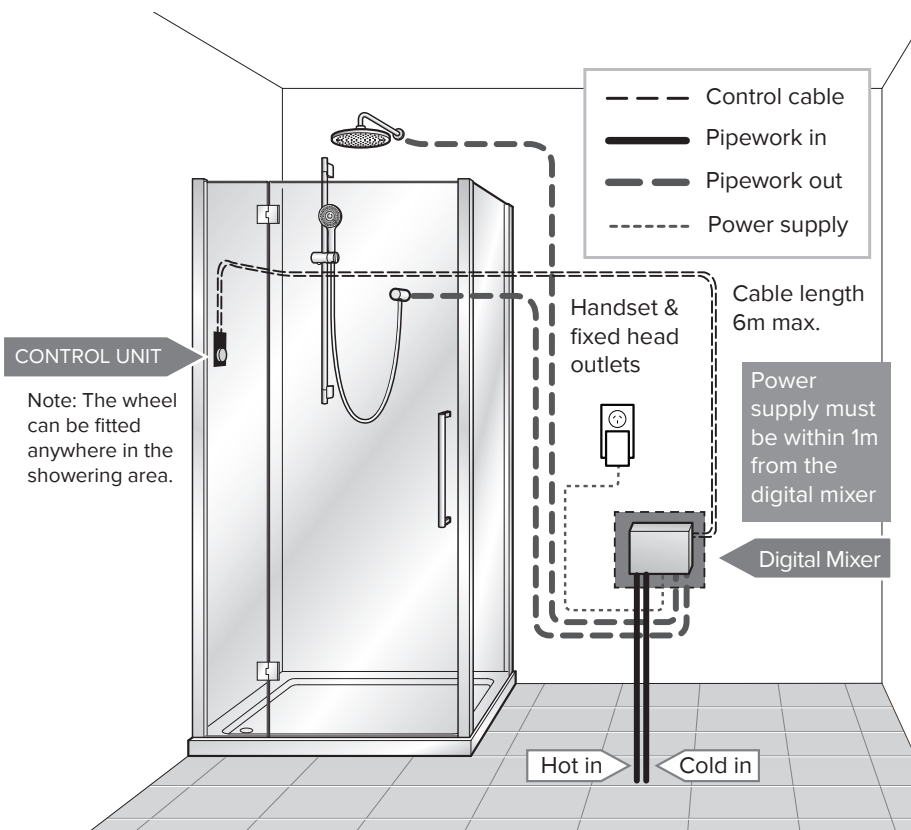


SCOPE OF APPLICATION

A Ceiling Mounted Shower handset (Recommended)



B Wall Mounted Shower handset



Important: [The TLC Temp Flow must be accessible and should not be sealed in the wall](#)

⚠ Warning

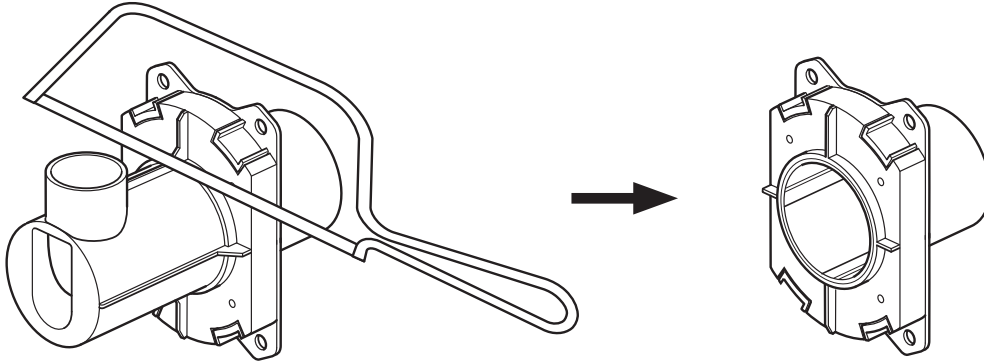
Please make sure the power source is installed by a qualified electrician and complies to Electrical standard/NZ laws.

Important: The TLC Temp Flow must have an access panel.

CONTROL UNIT PRE-LINE INSTALLATION

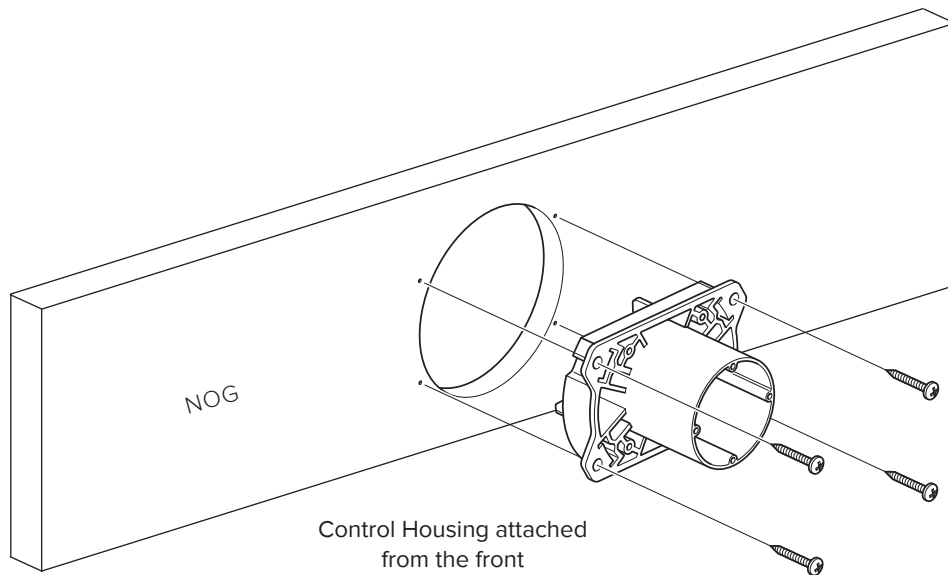
1 Cutting down the Control Housing (OPTIONAL)

NOTE: We recommend the in-wall box is cut down as shown using a hacksaw



2 Attaching the Control Housing

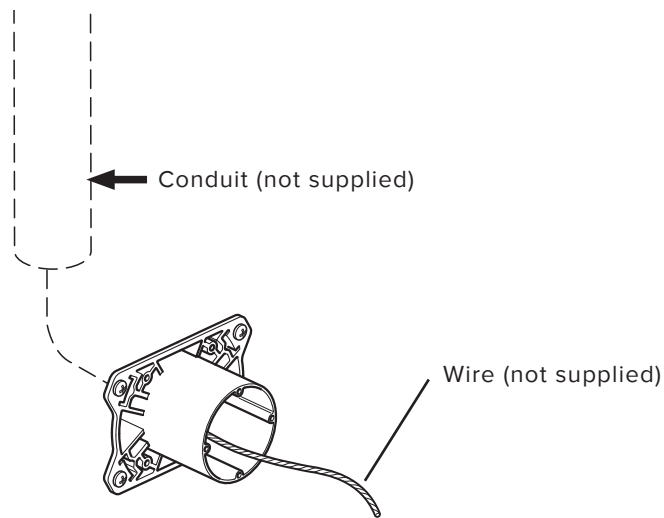
Prepare the wall to take the Control Housing. The installation of the Control Housing will depend on each individual situation. **Control Housing attached from the front: a 70mm diameter hole is required in a fixing nog flush with face of the timber framing. Conduits should be used in the walls where necessary to protect the cables and allow maintenance.** Attach the Control Housing using the screws supplied.



3 Draw wire through the Control Housing

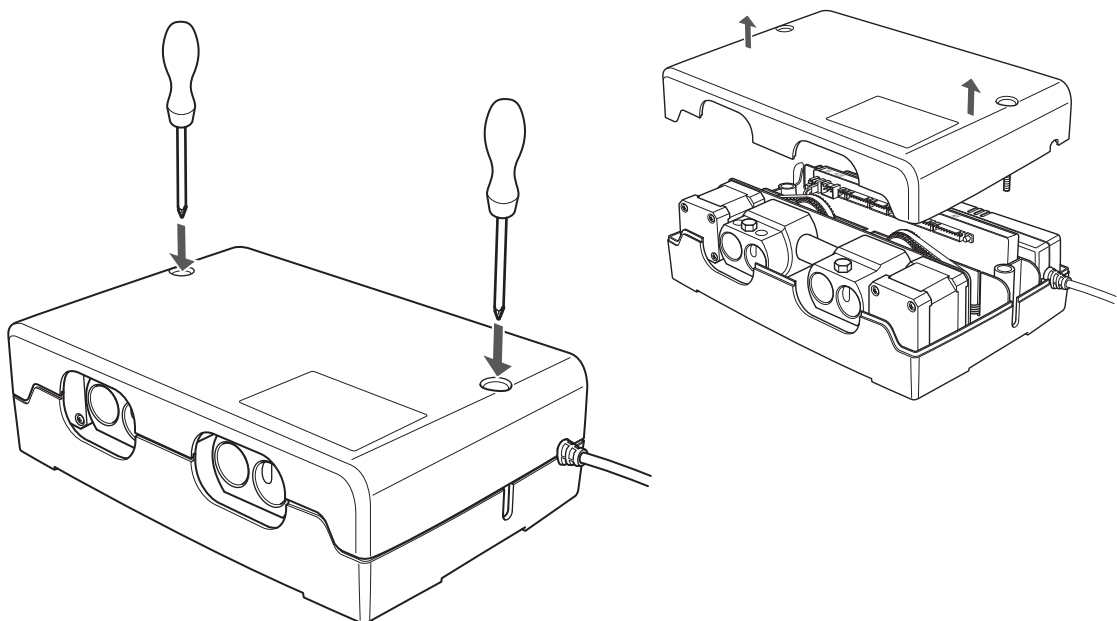
The draw wire should be fitted before the wall is lined.

NOTE: Feeding a string or wire through the Control Housing and conduit will make it easier to pull the cables through to the TLC 30 FTD.

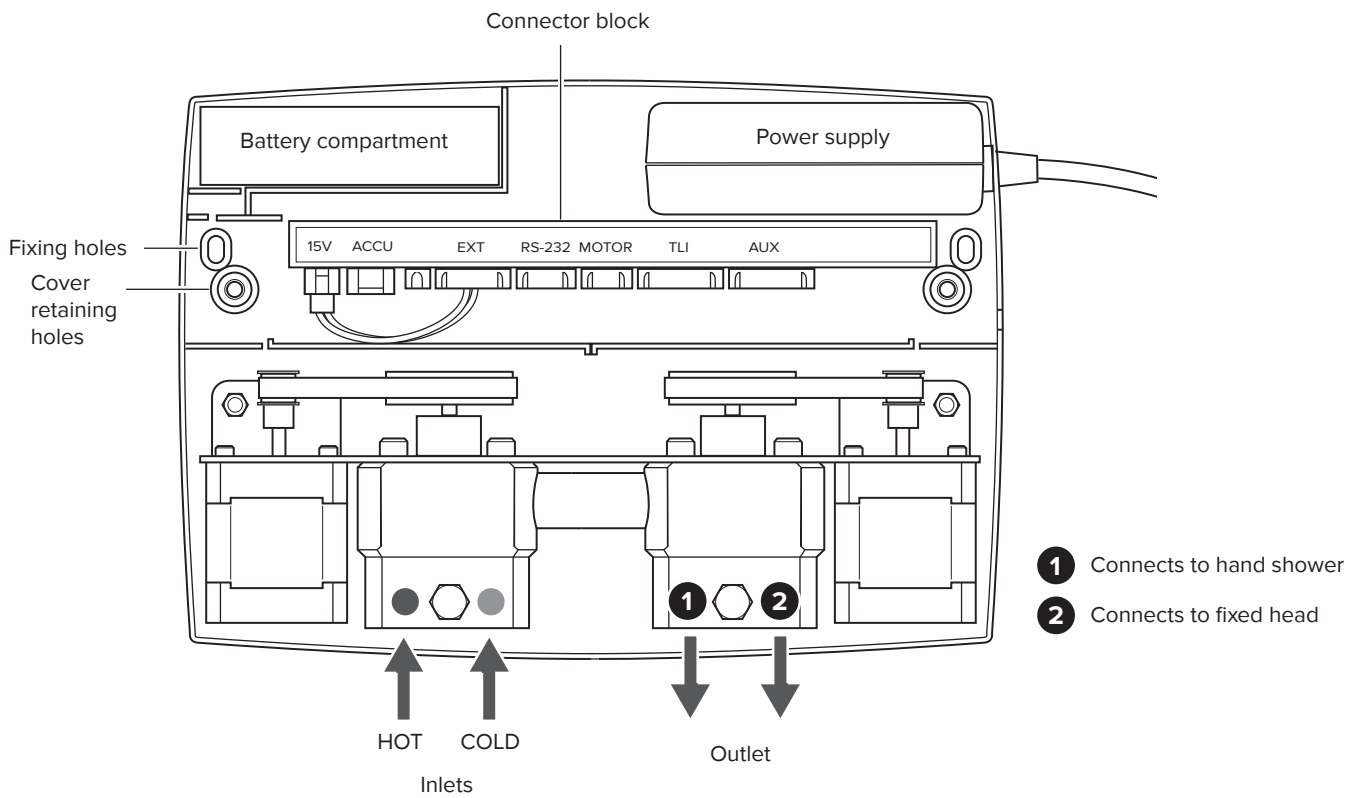


DIGITAL MIXER INSTALLATION

4 Remove the cover



5 Inside the Temperature & Flow Control Unit

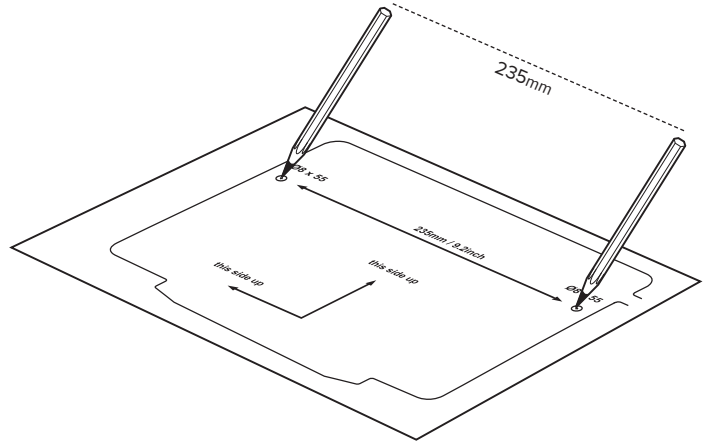
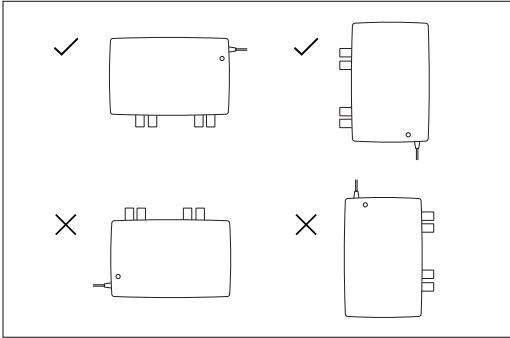


MOUNTING OPTIONS

Refer to Scope of Application on p6 for the plumbing layout

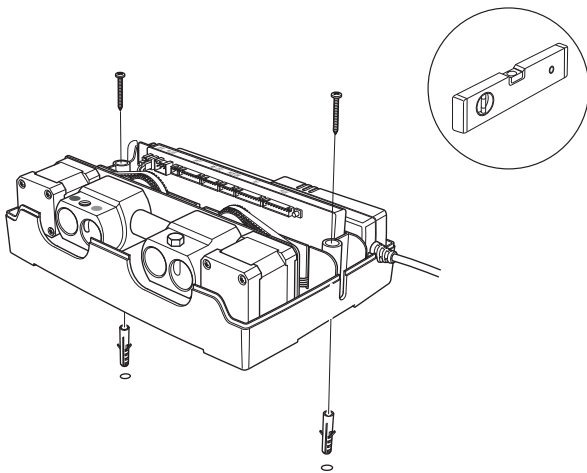
- 6 Mark the position of the Temperature & Flow Control Unit fixing holes in the selected location

ORIENTATION FOR WALL SITUATION:



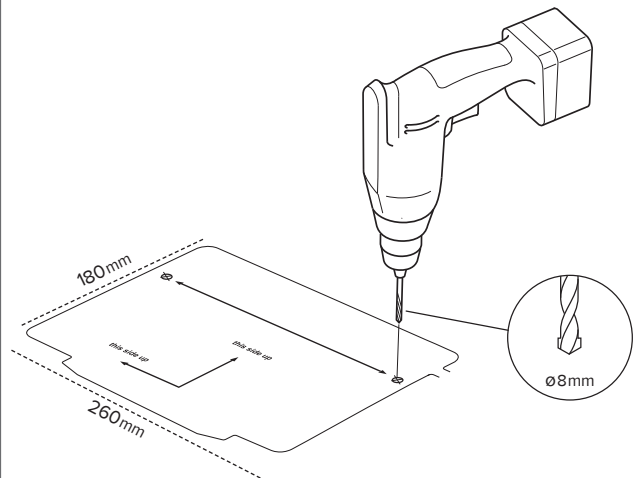
Important: The location of the Temperature & Flow Control Unit must be accessible and dry. Use the processor template on the last page to mark the position of the fixing holes in the selected location.

MOUNTING FOR NOG (RECOMMENDED)

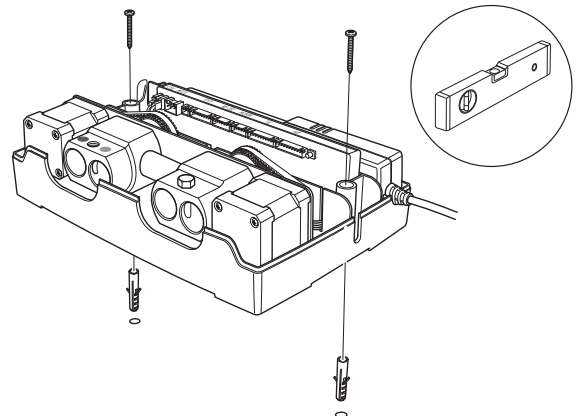


- 1 Install the Temperature & Flow Control Unit

MOUNTING FOR CONCRETE

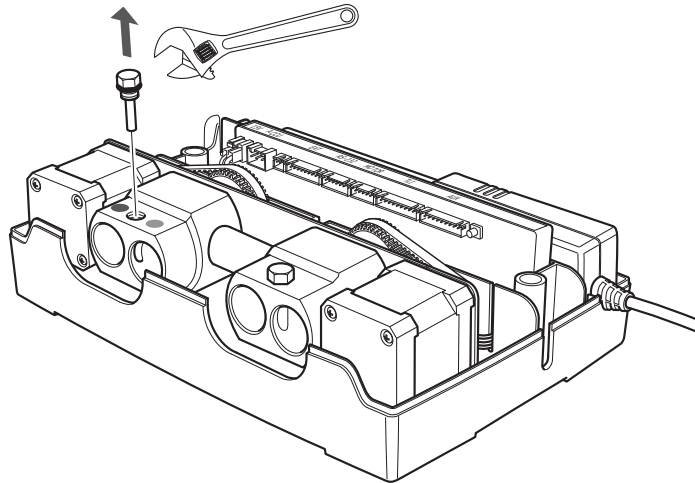


- 1 Drill fixing holes



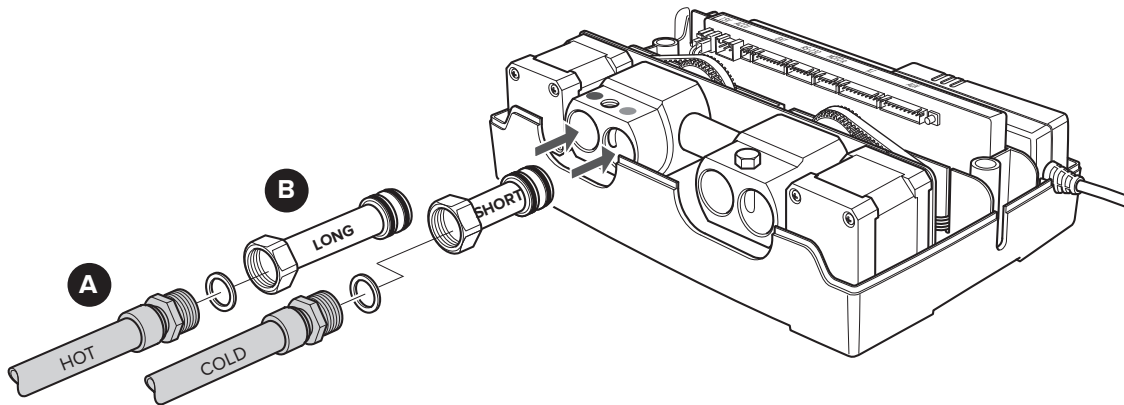
- 2 Install the Temperature & Flow Control Unit

7 Remove the inlet adapter retaining bolt



8 Connect hot and cold water supply

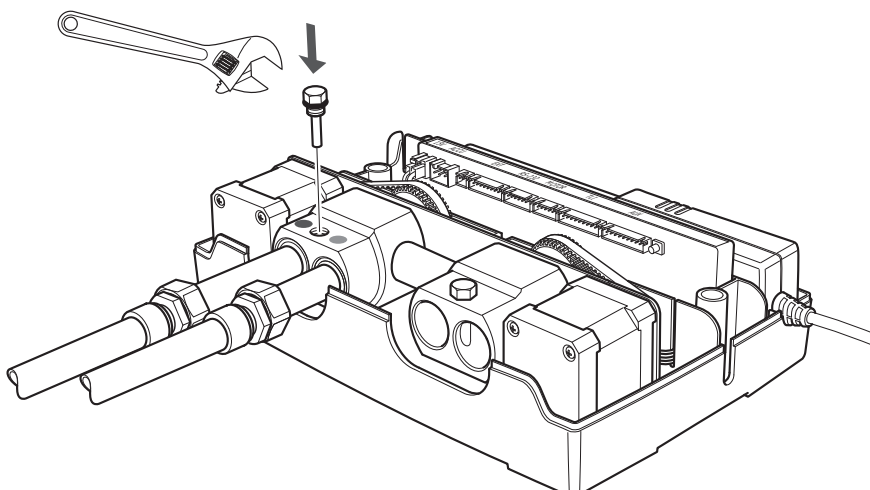
Fully insert the inlet adapters into the inlet valves (one long and one short adapter).



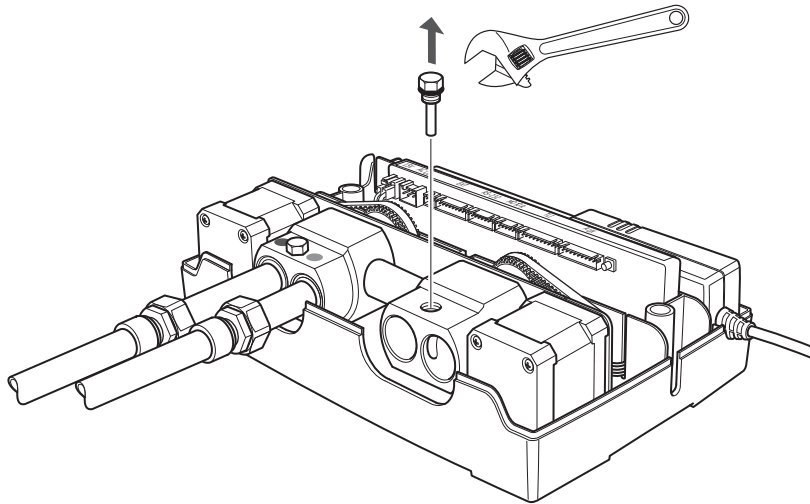
- A** Connect hot and cold water supply
- B** Insert inlet supply

! **IMPORTANT:** Flush the pipework before connection

9 Tighten adapter retaining bolt

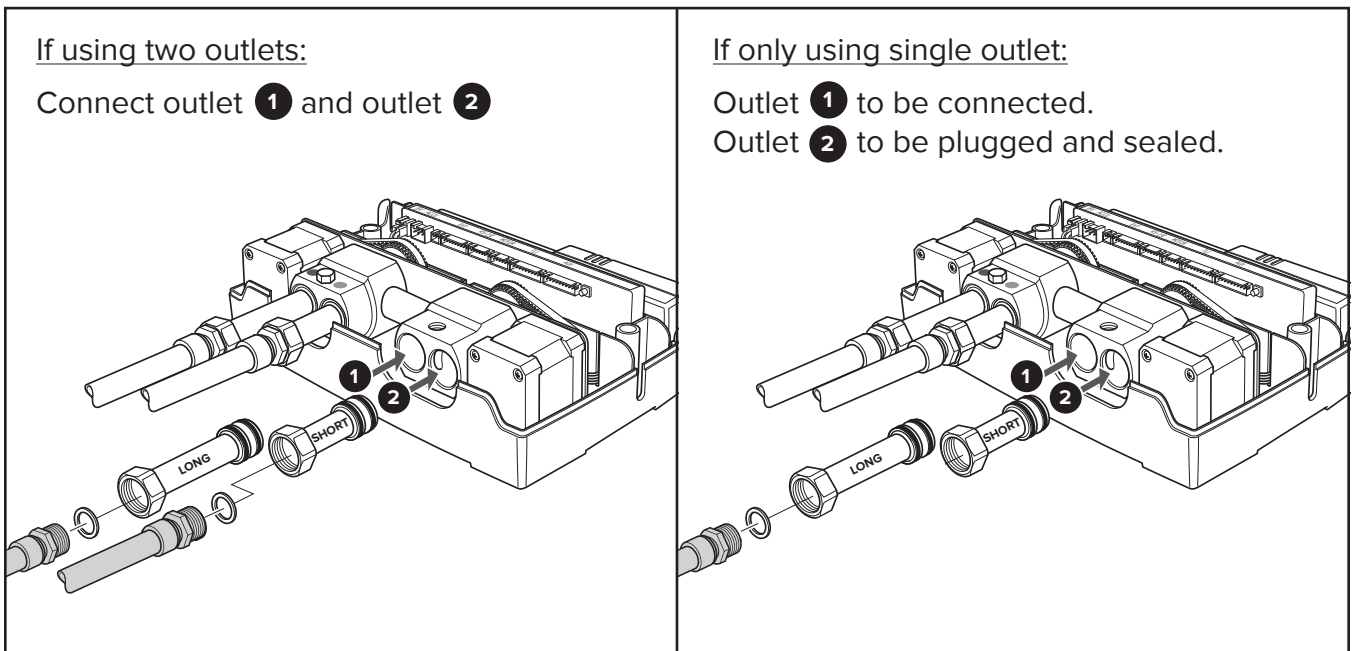


10 Remove the outlet adapter retaining bolts



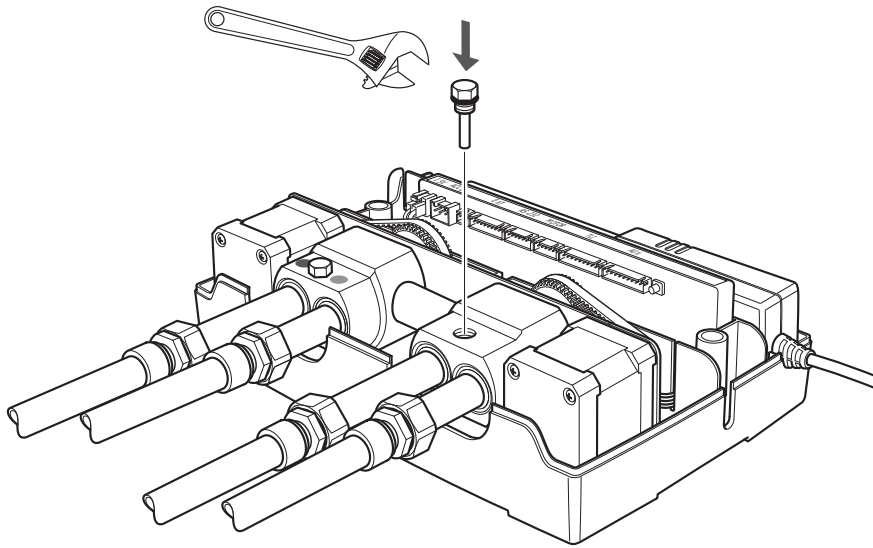
11 Connect outlet pipeworks

Insert outlet adapters and connect outlet pipeworks



- 1** Primary outlet (Hand Shower)
- 2** Secondary outlet (Fixed Head)

12 Tighten adapter retaining bolt



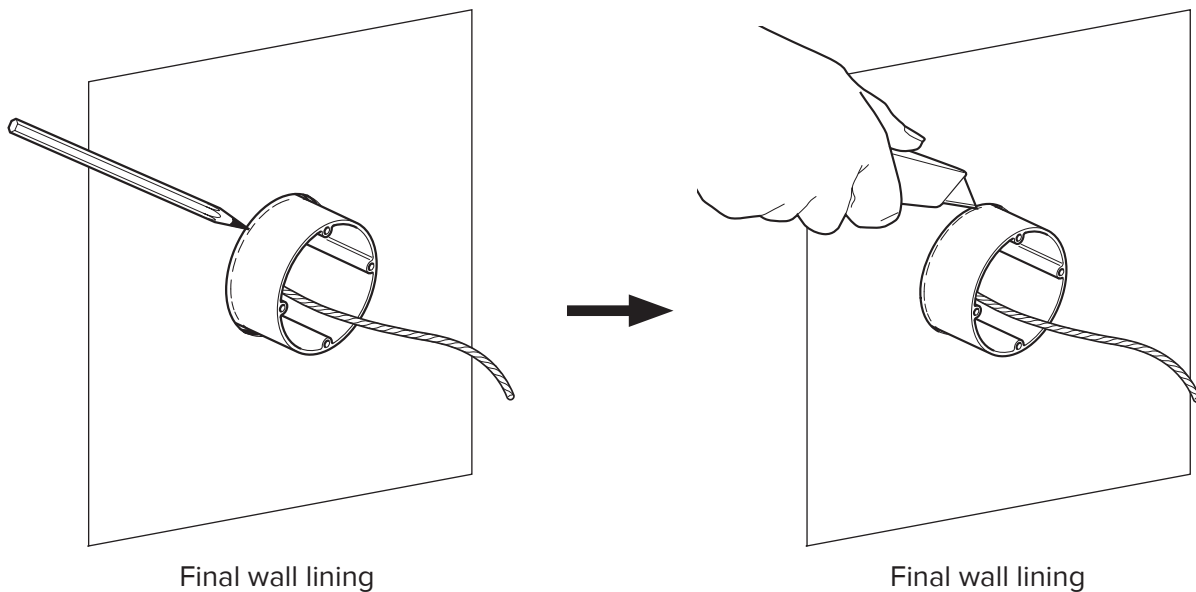
DISPLAY UNIT AND CONTROL WHEEL FINAL FIT INSTALLATION

13 Fit off after final wall lining is installed

Finish the wall by tiling etc.

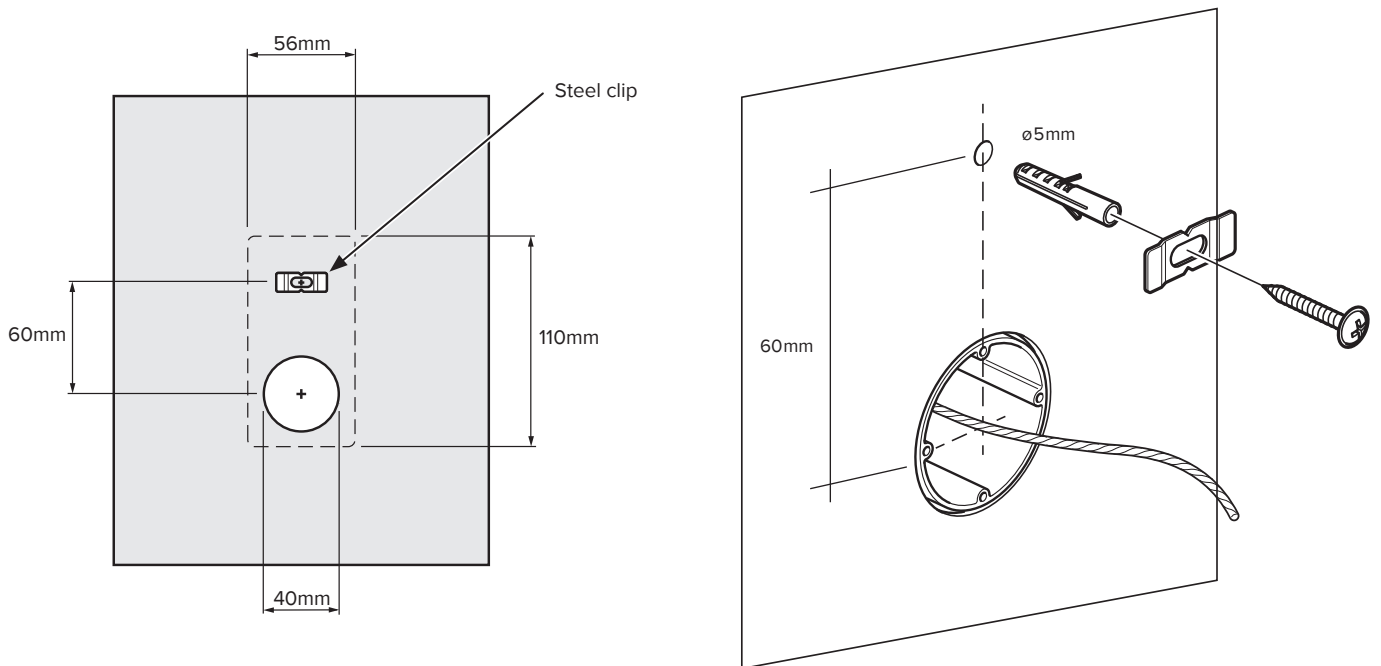
40mm diameter holes should be drilled in the tile etc to finish.

Draw a line around the collar, **flush** with the wall. Cut down the collar as marked.



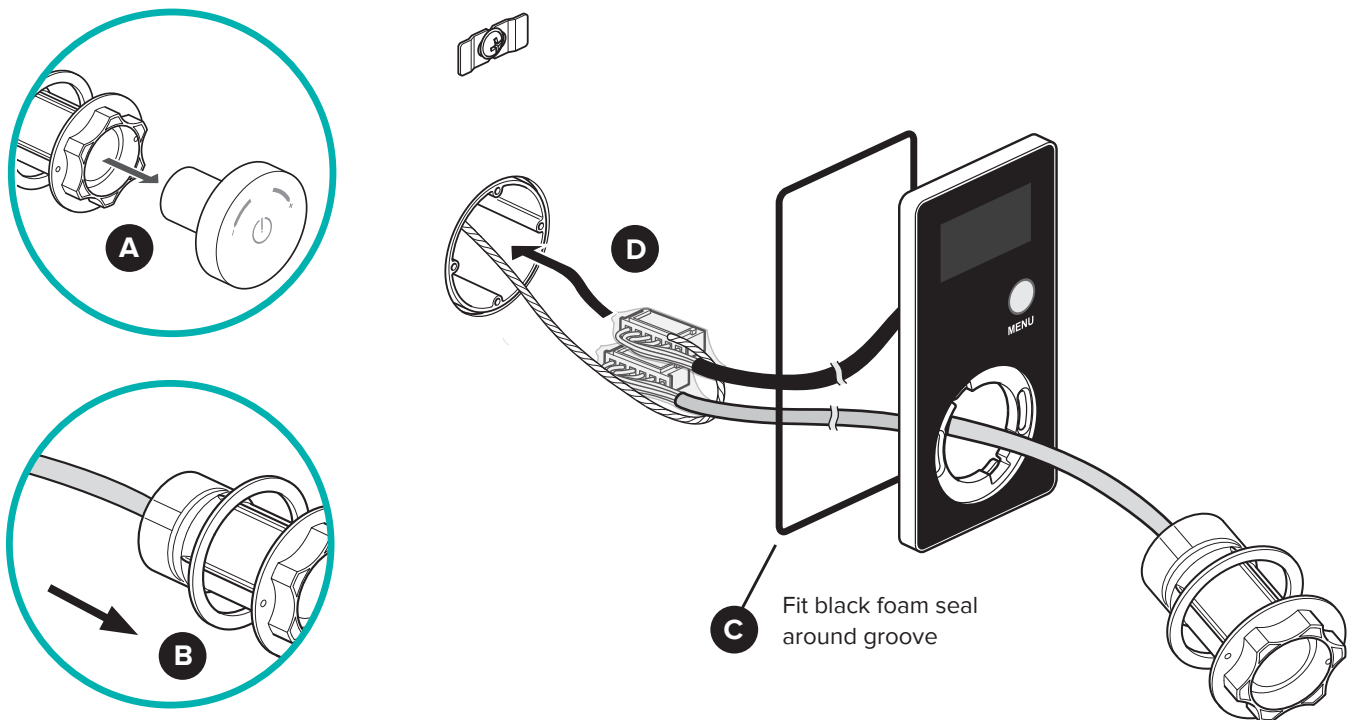
14 Attach steel clip

Fix the control steel clip to the wall where shown using the fixings supplied.

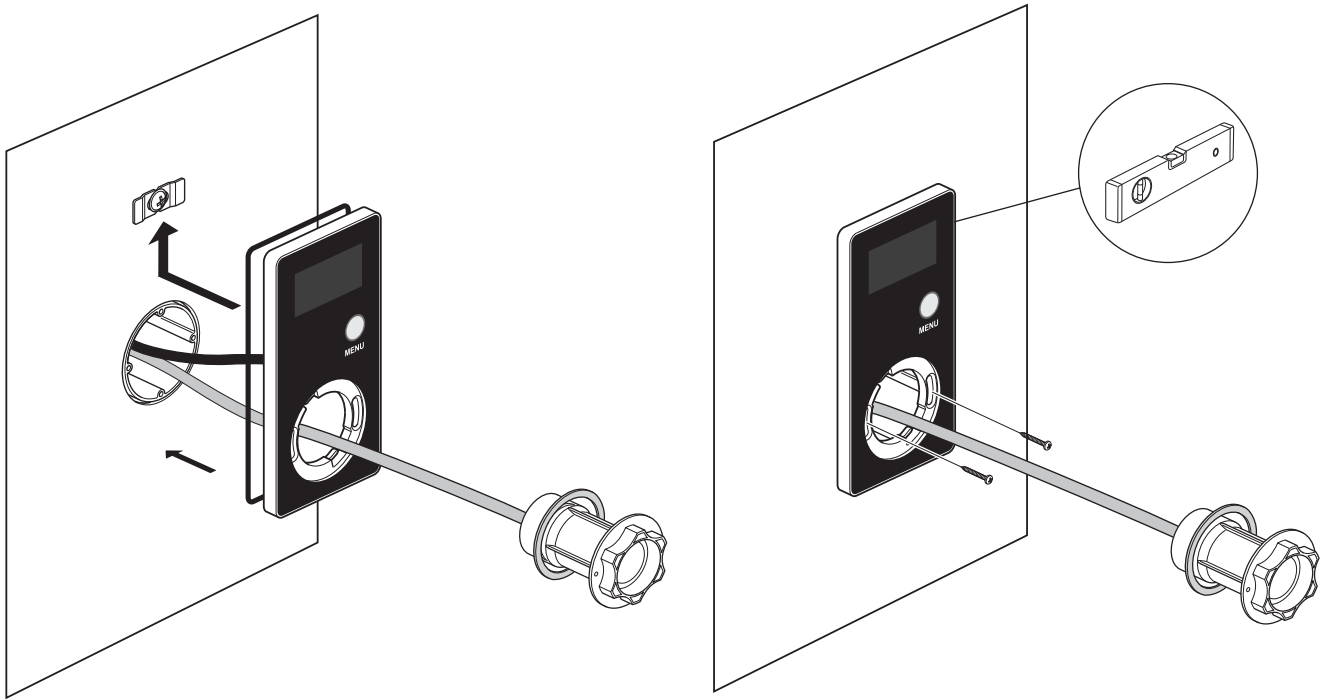


15 Feed both cables through to Temperature & Flow Control Unit

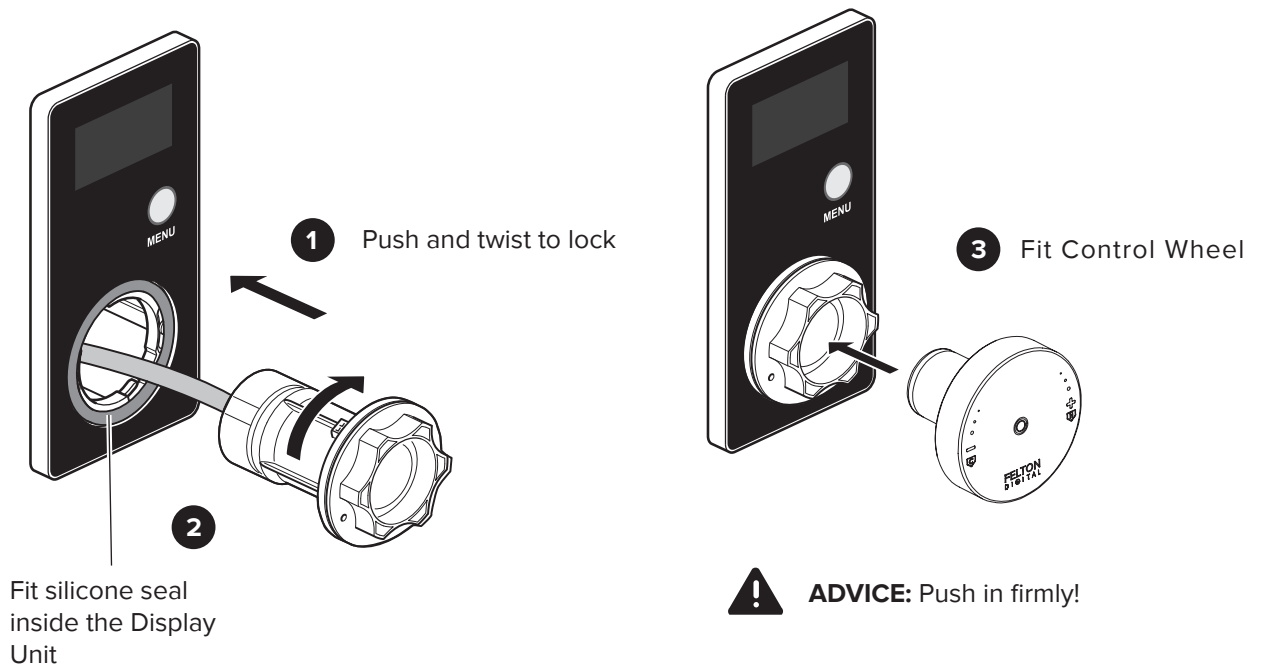
- A** Remove Control Wheel from the Control Housing.
- B** Feed data cable through silicone seal and **C** black foam seal
- D** Secure both cables to the previously installed draw wire and pull the cables to the Temperature & Flow Control Unit.



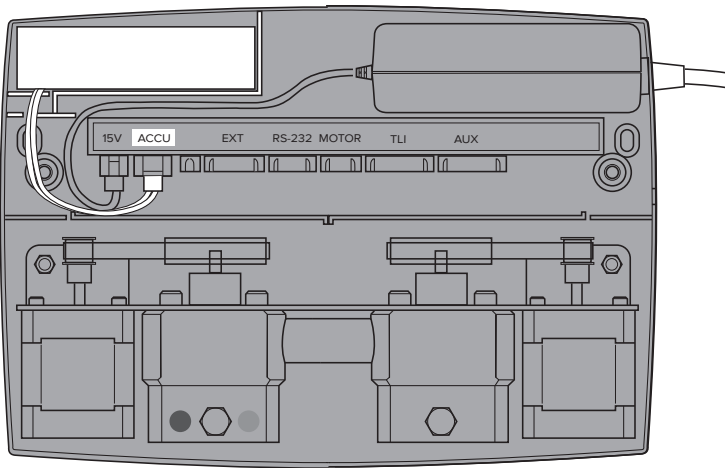
16 Position Display Unit and attach with screws



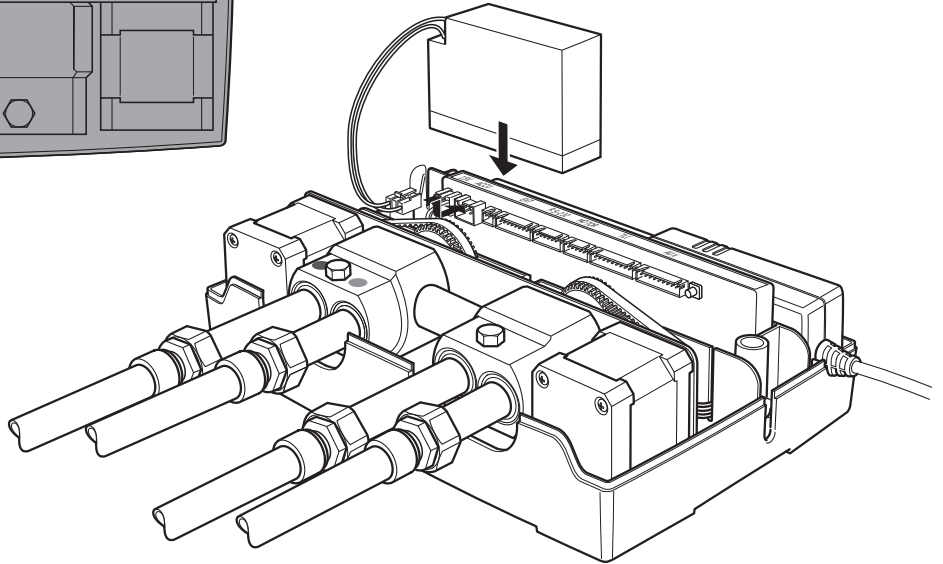
17 Position the Control Housing into the Display Unit and lock by turning clockwise.



18 Connect the Back Up Battery

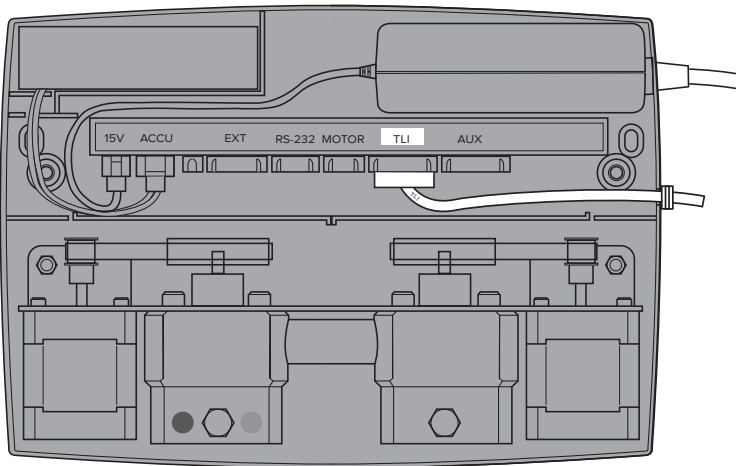


Place back up battery in shown location within the Temperature & Flow Control Unit and connect cable to ACCU port.

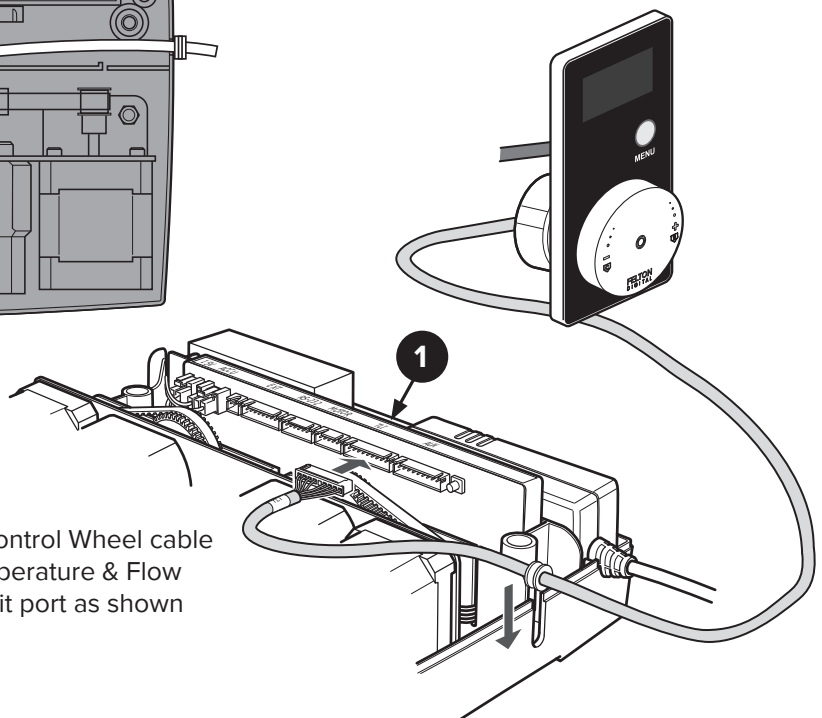


Note: After installation, battery may require 24 hours of charging on mains power before battery back up function before fully operational. Charging occurs once unit is on mains power.

19 Connect the Control Wheel to the Temperature & Flow Control Unit port

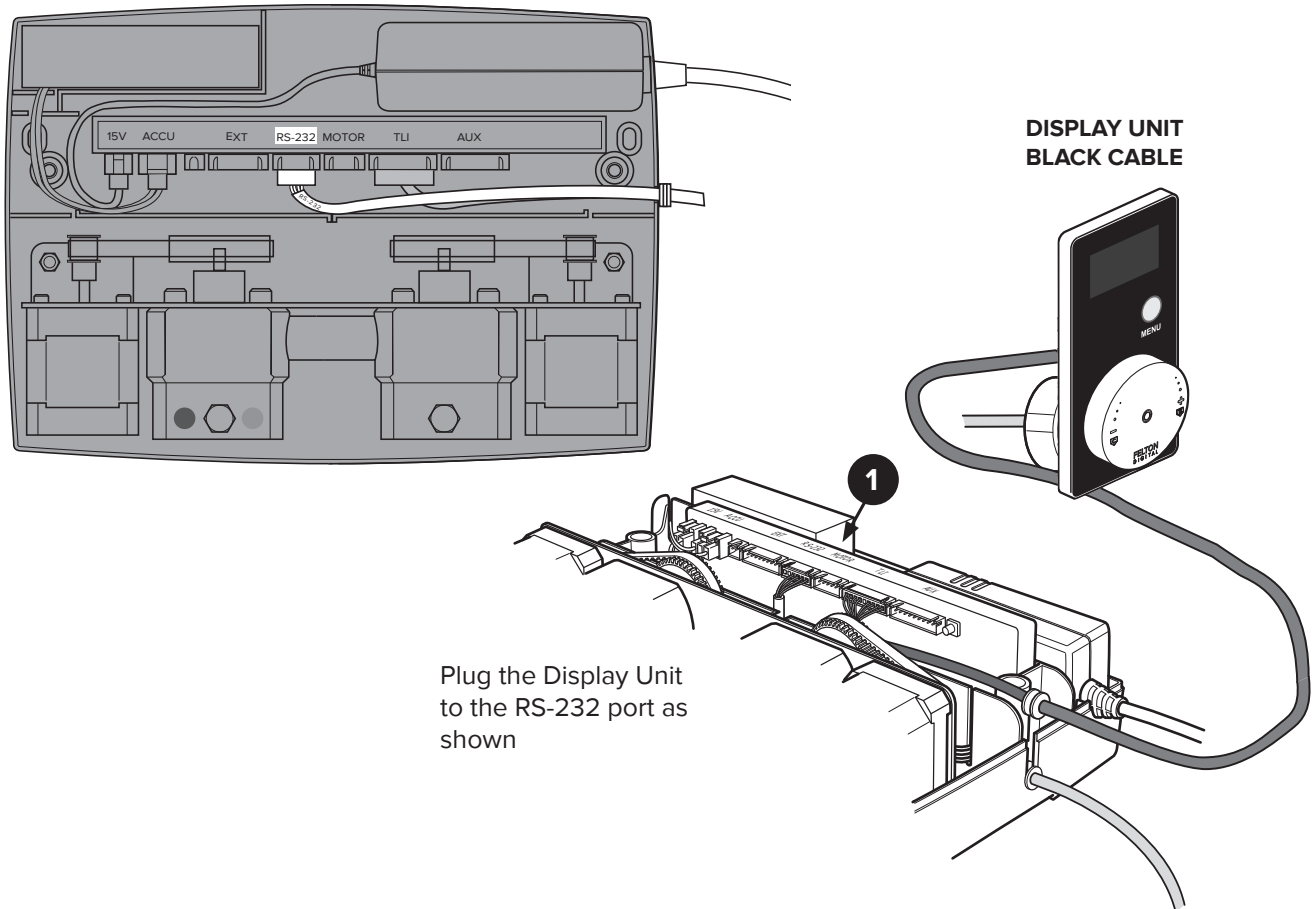


**CONTROL WHEEL
GREY CABLE**



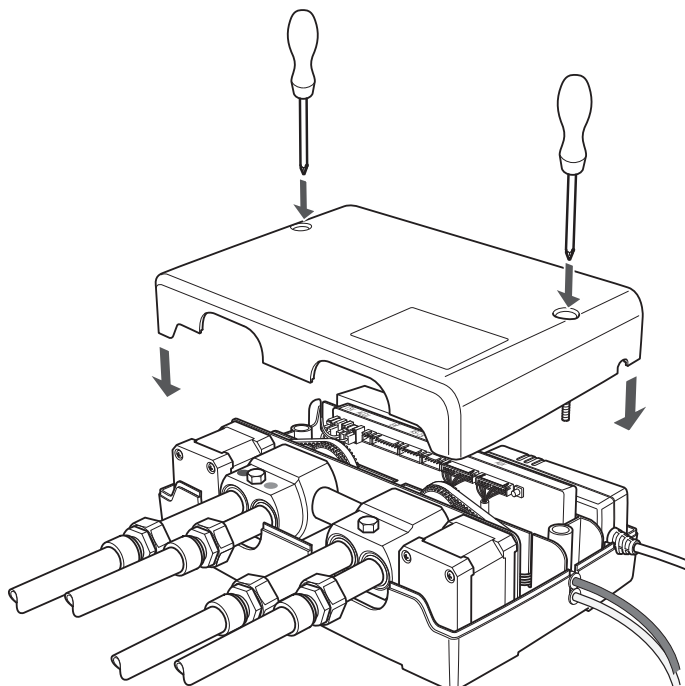
Plug the Control Wheel cable to the Temperature & Flow Control Unit port as shown

20 Connect Display Unit to RS-232 port



21

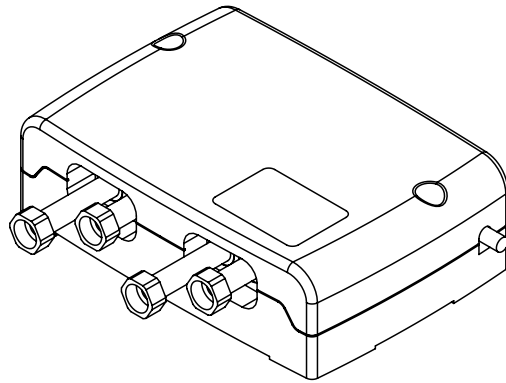
Fit the cover back on to the base using a Phillips screwdriver secure the cover in position. The unit is now ready for commissioning. Please see User Guide.



IMPORTANT: Electrical supply must be installed by a qualified electrician (if required).

OPERATIONAL TESTING:

- 1 Ensure that the Digital Mixer is correctly installed according to the instructions above.
Turn on the water supply and check the unit and plumbing for leaks. Once the plumbing is confirmed to be water-tight, connect the power supply and conduct the operational test below.



- 2 **Open**
Push the **Smartview™** Interface once.
The Digital Mixer opens and the LED illuminates.



- 3 **Close**
Push the **Smartview™** Interface again.
The Digital Mixer closes and the LED goes off.



SMARTVIEW™ TROUBLESHOOTING

ISSUE	PROBLEM	TROUBLESHOOT
The device does not function (i.e. the LED light is not on)	The AC adapter is not connected to the mains	Connect device to the mains power
	Mains power failure	Check household fuse box
	Back up battery not connected	Follow Step 18 on Smartview Installation Guide
	Vision wheel interface is not working	Follow Step 19-20 on Smartview Installation Guide
Device does not operate during a power failure	Battery not connected	Connect battery with controller (ACCU)
	Battery flat	Charge for at least 24hours. Follow Step 18 on Smartview Installation Guide
	Battery defective	Replace (replace every 3 to 5 years)
The water temperature does not match the indicated display	Hot and cold water connections reversed	Check connections are correct
	Hot or cold water stop valve closed or only half opened	Fully open both stop valves
	Kink in supply hose	Check connection hoses
	Connecting pipe blocked	Flush pipes and clean filter
	No hot water	Check hot water tank and instantaneous connections
	Temperature sensor defect	Carry out function «Self Check Diagnosis» on Smartview User Guide
	Difference in supply pressure between hot and cold water greater than 100kPa	Balance pressure to eliminate difference
Constant flow of water	Unit will not turn off	Carry out function «Self Check Diagnosis» on Smartview User Guide
The water shuts off before maximum run time has been reached	Flow sensor is defective	Carry out function «Self Check Diagnosis» on Smartview User Guide
The device is working but has no water flow	Motors are not calibrated	Carry out function «Self Check Diagnosis» On Smartview User Guide
	Stop valves closed	Open stop valves fully
	No water supply	Restore water supply
	Kink in supply hose	Check connection hoses
Interface flashes green	Cleaning mode active	Wait 45 seconds or deactivate via menu
The TLC 30 FTD is damp or wet	Inlet and outlets of Temperature & Flow Control Unit are not properly sealed	Inspect all connections, reseal if necessary
The vision wheel interface does not respond to temperature and flow adjustment	The interface elements are connected incorrectly	Follow Step 19-20 on Smartview Installation Guide
	The interface is defective	Carry out function «Self Check Diagnosis» On Smartview User Guide
	The knob is not running smoothly	Remove and clean knob

If issue persists or is not covered in the above, please contact our Felton Technical Team on 0800 743 358 or sales@felton.co.nz

WARRANTY

5 year warranty applies to all **Felton** branded products including the electronic hardware and its components. Where products are promoted as having a “5 year warranty”, Felton Industries Limited guarantees the electronic components of these products (excluding batteries) to be free from defects in materials and workmanship under normal installation, use and service for a period of five (5) years from the date of purchase. Fair wear and tear is expressly excluded.

This warranty is effective for five (5) years from the date of purchase and covers electronic replacement parts only (excluding batteries) and 2 years from the date of purchase for plumber’s labour relating solely to repairing or replacing the Hardware, provided the product is installed by a registered plumber. You must retain proof of purchase of the Hardware (such as an invoice or receipt) and proof of installation by a registered plumber and provide these to Felton on request.

This warranty is for manufacturing defects only and does not cover any damage to product due to abuse, negligence or improper installation. This warranty is given on the understanding that the product is installed by a registered plumber and operated according to Felton’s installation guide and the Australian/New Zealand standard AS/NZS3500. This warranty is provided to persons who are a “consumer” under the Consumer Guarantees Act 1993 only and for use in domestic/residential dwellings only (not for commercial use).

This warranty is subject to any other rights or remedies that you may have under the Consumer Guarantees Act 1993 (or any other applicable legislation) and to Felton’s Terms of Trade.

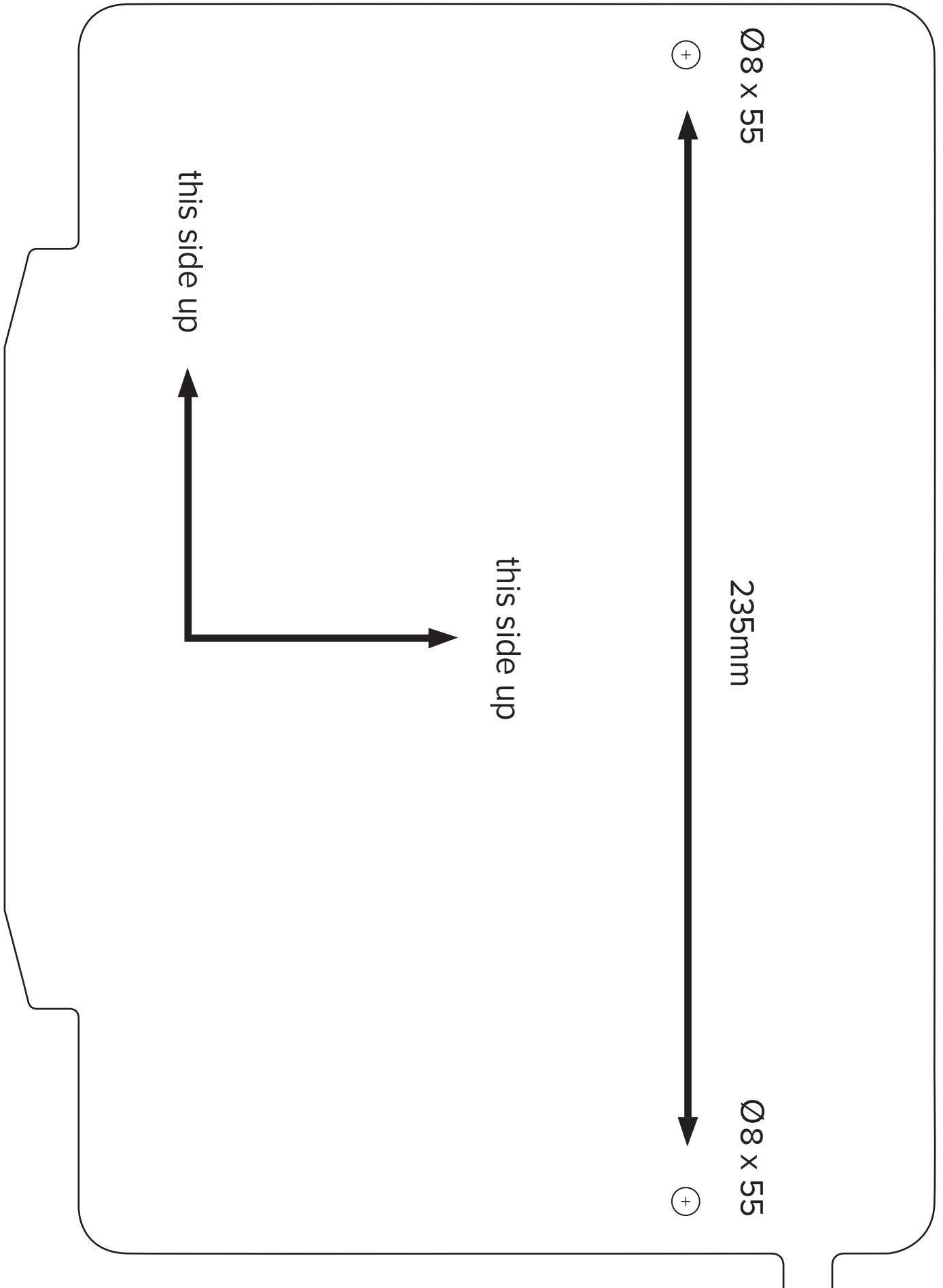
This **5 year warranty** does not cover:

- 1) any consumable items (e.g. batteries, filters, installation fittings) supplied with the products.
- 2) damage, problems or unsatisfactory performance caused to the electronic hardware by:
 - a. Faulty or incorrect electrical wiring, incorrect power supply, voltage fluctuations, over voltage transient spikes or electromagnetic interference not originating within the electronic hardware.
 - b. Incorrect or poor installation or application
 - c. Operation at conditions outside the operating conditions specified in the Felton technical or sales data applicable to that electronic hardware.
 - d. Reconfiguration of the digital interface by the user – this is considered a service not a warranty.

MAINTENANCE & CARE

Please see User Guide or visit www.felton.co.nz

For technical assistance please ring: 0800 743 358 or (09) 528 0810





FELTON INDUSTRIES LTD

8 Farmhouse Lane St Johns Auckland 1072
sales@felton.co.nz | Find us on Social Media



@feltontapware



/feltonltd



/FeltonIndustriesLimited



@feltonltd



/felton-industries-limited