

TECHNICAL PRODUCT INFORMATION

TATE WALL MOUNTED BASIN/BATH MIXER

FEATURES & BENEFITS

- Suitable for mains pressure only (up to 500kPa)
- 35mm quality European cartridge
- Suitable for left or right-handed installation
- Available in chrome & PVD finishes
- Designed in NZ
- Watermark certified
- 15 year replacement parts warranty (2 years labour)
- *5 year limited warranty on product finish



Chrome | TBFCA

NEW ZEALAND REGISTERED DESIGN NO. 426071, NO. 426072 & NO. 427630



Brushed Gold
TBFBGA



Matte Black
TBFMBA



Brushed Nickel
TBFBNA



Brushed Gunmetal
TBFGMA



Brushed Bronze
TBFBBZA



Matte Black
Gloss Black
TBFMB-GBA



Matte Black
Brushed Nickel
TBFMB-BNA



Matte Black
Brushed Gunmetal
TBFMB-GMA



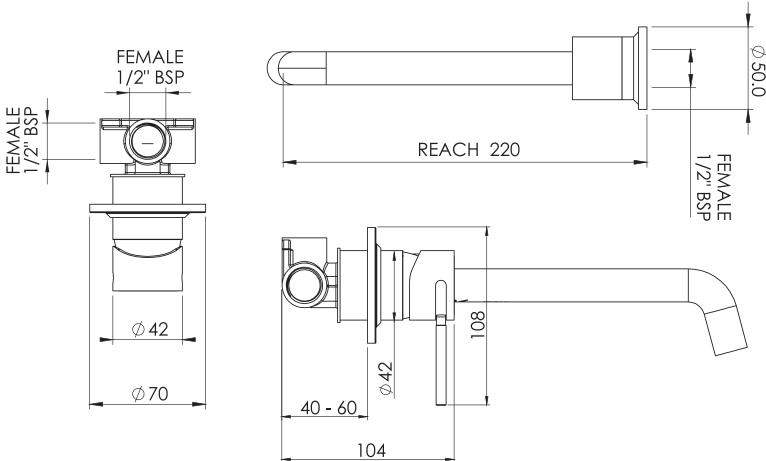
Matte Black
Brushed Gold
TBFMB-BGA



Brushed Nickel
Matte Black
TBFBN-MBA



Brushed Nickel
Brushed Gold
TBFBN-BGA



WHEN INSTALLED
AS BASIN MIXER