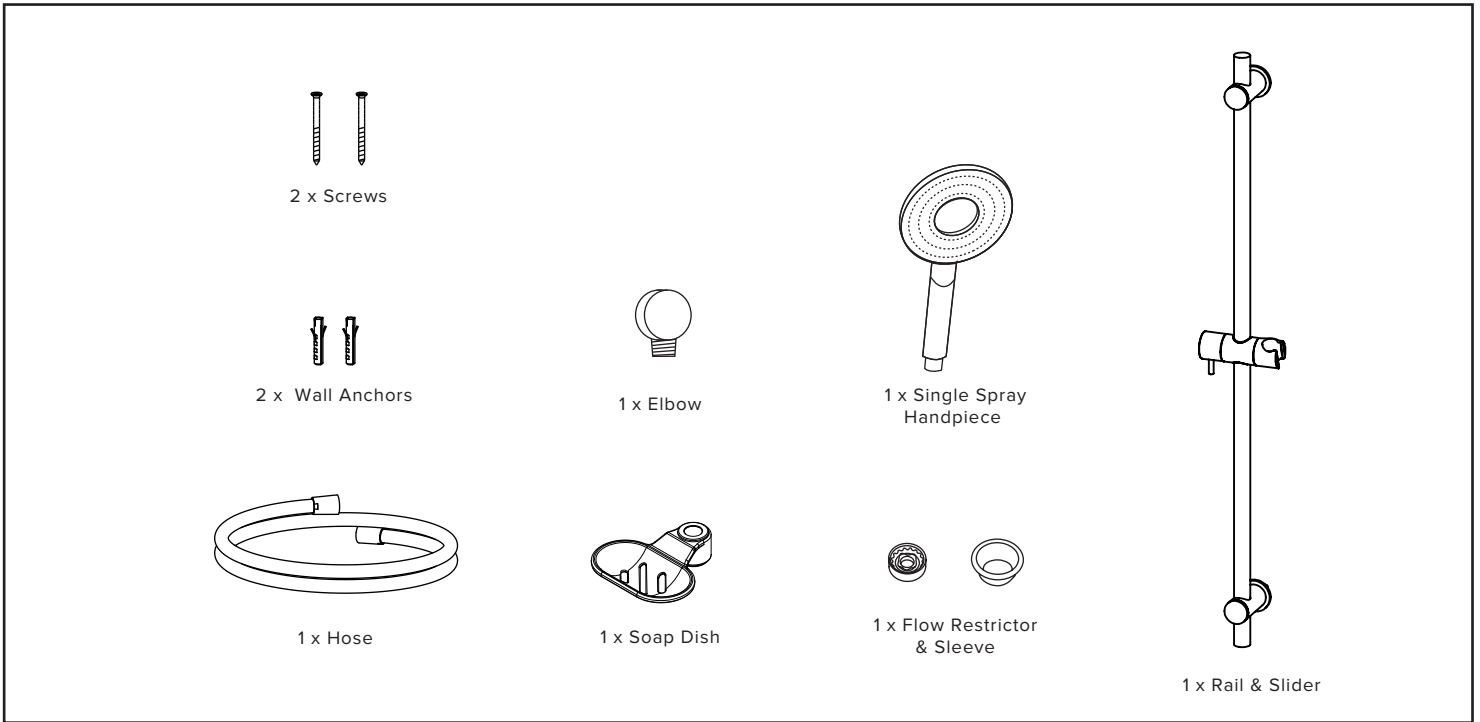


INSTALLATION GUIDE - AUSTRALIA

HALO II SLIDE SHOWER WHITE H2HSKCSRWA
HALO II SLIDE SHOWER GUNMETAL H2HSKCSRGA
HALO II SLIDE SHOWER BLACK H2HSKCSRBA

WHAT IS IN THE PACK



Warranty, Maintenance and Care YOUR COPY TO KEEP

Felton Australia Pty Limited guarantees these mixers to be free from defects in materials and workmanship for a period of five (5) years from the date of purchase. Fair wear and tear is expressly excluded. This warranty is effective for five (5) years from the date of purchase and covers the supply of replacement parts only, not including installation. You must retain proof of purchase of the Mixer (such as an invoice or receipt) and provide this to Felton on request. This warranty is for manufacturing defects only and does not cover any damage to the product due to abuse, negligence or improper installation. This warranty is given on the understanding that the product is installed and operated according to Felton's installation guide and the Australian/New Zealand standard AS/NZS3500. This warranty is provided to persons who are defined as a "consumer" under the Australian Consumer Law only and for use in domestic/residential dwellings only (not for commercial use).



At no stage should any surface coatings be cleaned with cleaning agents that contain a corrosive acid or a scouring additive. Surface coatings should be cleaned with liquid detergent or soap and water. Any damage caused through the use of an unsuitable cleaner will not be covered by this warranty. This warranty is subject to any other rights or remedies that you may have under the Australian Consumer Law (or any other applicable legislation) and to Felton's Terms of Trade.

Please fill in the details below, attach your receipt to this installation guide and keep as your proof of purchase.

Purchased at:

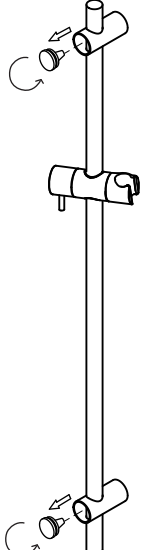
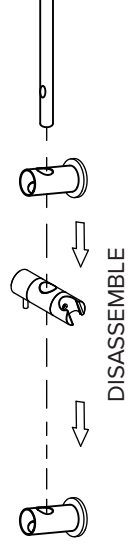
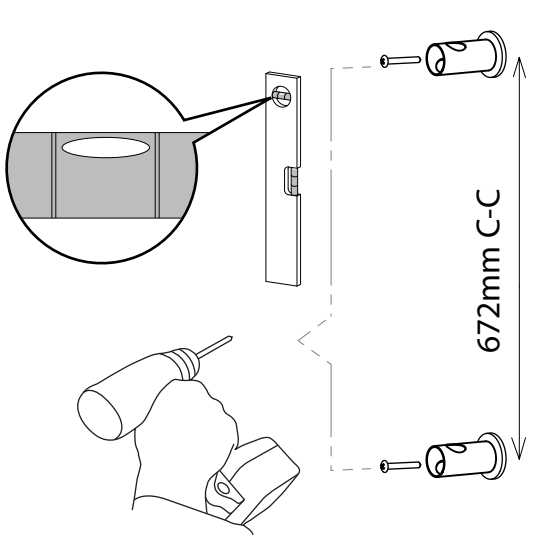
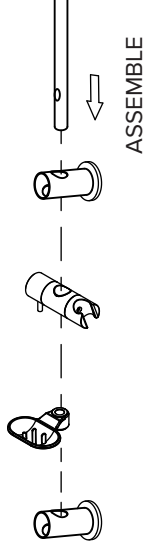
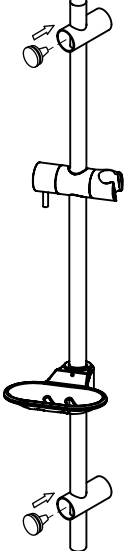
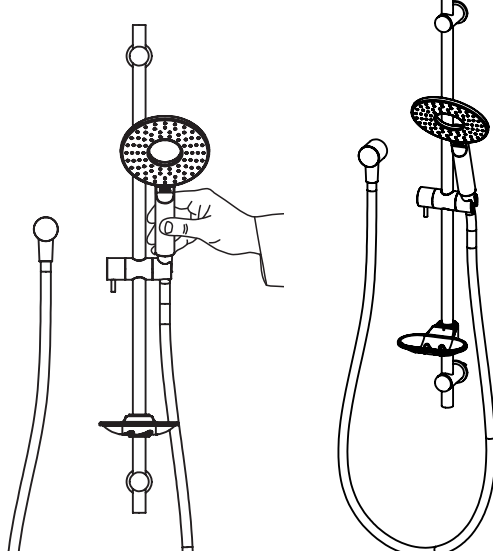
Date of purchase:

Installed by:

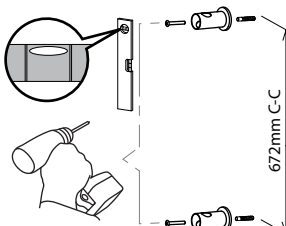
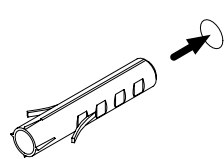
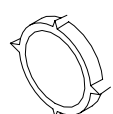
For technical assistance please ring: 1800 792 760

HOW TO INSTALL

INSTALLING INTO STUD/NOG...(RECOMMENDED)

			
<p>Remove caps from the bracket 1. by unscrewing</p>	<p>Disassemble the brackets 2. from the rail</p>	<p>Mount the brackets into position on the wall (672 Centre - Centre). Ensuring the rail holes are vertically aligned. 3.</p>	<p>Reassemble the rail back onto the mounted brackets, ensure the holes are aligned with the rail. 4.</p>
			
<p>Screw the caps onto 5. the bracket.</p>	<p>Screw the elbow into the water outlet (wingback). Sealant required on thread to achieve a water tight seal. For Mains Pressure, fit flow restrictor into the handpiece first. Screw the hose onto the elbow and handpiece and attach the handpiece to the slider on the rail. 6.</p>		

INSTALLING INTO CONCRETE/BRICK WALL...

<p>Pre-drill holes to 672 Centre - Centre and fit the wall anchors then follow the above instruction.</p>			
---	---	--	---