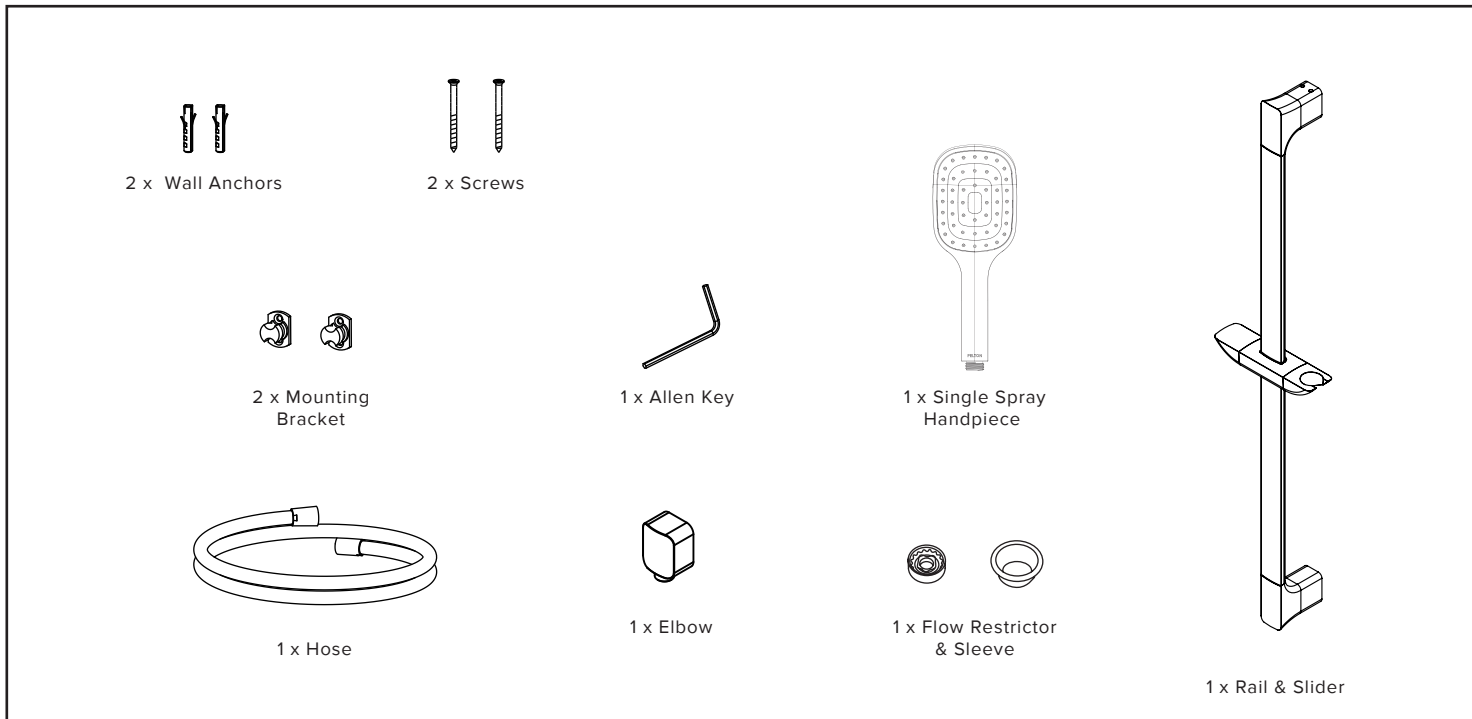


INSTALLATION GUIDE - AUSTRALIA



AXISS II SINGLE SPRAY SLIDE SHOWER CHROME AX2HSKCSRA


WHAT IS IN THE PACK



Warranty, Maintenance and Care YOUR COPY TO KEEP



Felton Industries Limited guarantees these mixers to be free from defects in materials and workmanship for a period of five (5) years from the date of purchase. This warranty is effective for 5 years from the date of purchase and covers supply of replacement parts only, not including installation. You must retain proof of purchase of the Mixer (such as an invoice or receipt) and provide this to Felton on request. This warranty is for manufacturing defects only and does not cover any damage to product due to abuse, negligence or improper installation. This warranty is given on the understanding that the product is installed and operated according to Felton's installation guide and the Australian/New Zealand standard AS/NZS3500. This warranty is provided to persons who are a "consumer" under the Consumer Guarantees Act 1993 only and for use in domestic/residential dwellings only (not for commercial use).

 At no stage should plated surfaces be cleaned with cleaning agents that contain a corrosive acid or a scouring additive. Plated surfaces should be cleaned with liquid detergent or soap and water. Any damage caused through the use of an unsuitable cleaner will not be covered by warranty. This warranty is subject to any other rights or remedies that you may have under the Consumer Guarantees Act 1993 (or any other applicable legislation) and to Felton's Terms of Trade.

Please fill in the details below, attach your receipt to this installation guide and keep as your proof of purchase.

Purchased at:


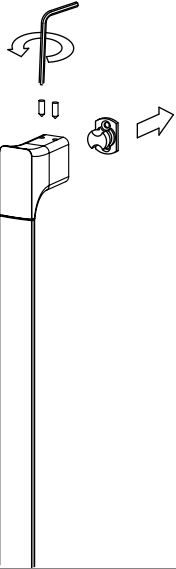
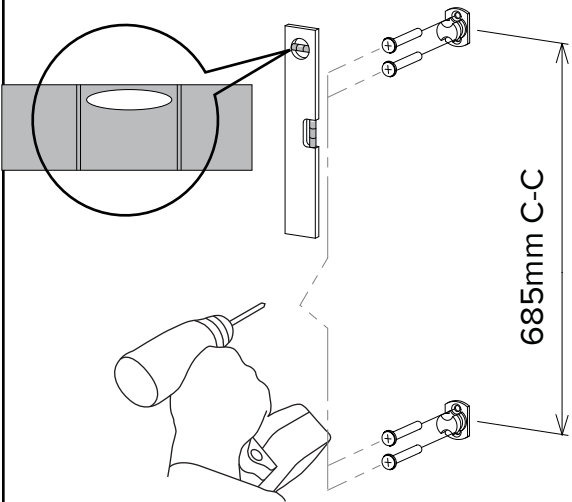
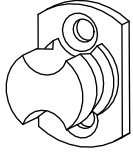
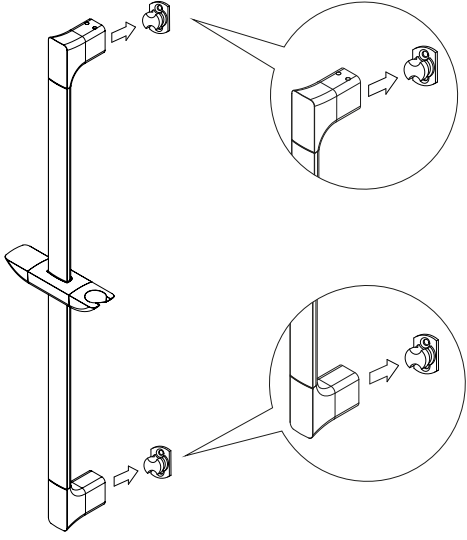

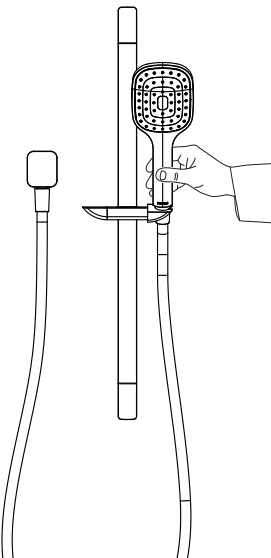
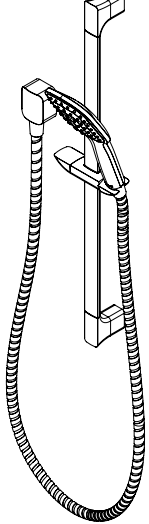
Date of purchase:

Installed by:

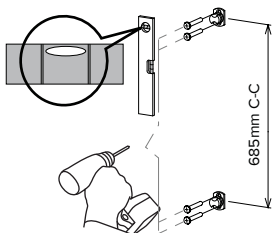
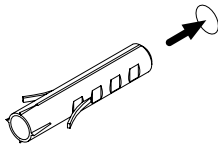
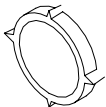
For technical assistance please ring: 1800 792 760

HOW TO INSTALL

INSTALLING INTO STUD/NOG...(RECOMMENDED)

			
<p>1. Untighten the grub screws from the rail with an allen key.</p>	<p>2. Remove the brackets from the rail.</p>	<p>3. Mount the brackets into position (605 Centre - Centre).</p>	<p>4. It is essential that the mounting brackets are installed in a vertical position as shown.</p>
			
<p>5. Mount the rail onto the brackets in place. Ensure that both rail and bracket are secured.</p> <p>It is recommended that silicone sealant be used to seal the fixing brackets.</p>	<p>8. Tighten the grub screws on rail with an allen key.</p>	<p>9. Screw the elbow into the water outlet (wingback). Sealant required on thread to achieve a water tight seal. For Mains Pressure, fit flow restrictor into the handpiece first. Screw the hose onto the elbow and handpiece and attach the handpiece to the slider on the rail.</p>	

INSTALLING INTO CONCRETE/BRICK WALL...

<p>Pre-drill holes to 605 Centre - Centre and fit the wall anchors then follow the above instructions.</p>			
--	---	--	---