



TATE CUSTOMISATION FORM

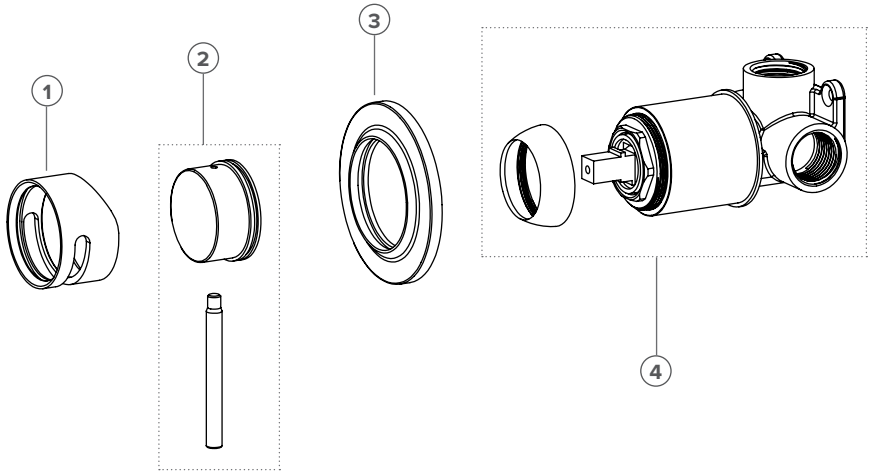


TATE SHOWER MIXER

NEW ZEALAND REGISTERED DESIGN NO. 426071, NO. 426072 & NO. 427630

FINISHES

- C CHROME
- BG BRUSHED GOLD
- MB MATTE BLACK
- BN BRUSHED NICKEL
- GM BRUSHED GUNMETAL
- BBZ BRUSHED BRONZE
- GB GLOSS BLACK



MERCHANT NAME / BRANCH

STAFF NAME

STAFF EMAIL ADDRESS

CUSTOMER NAME / JOB REFERENCE

CUSTOMER PHONE NUMBER

CUSTOMER EMAIL ADDRESS

NOTES

Note: Customised orders will not be able to be returned for credit

- 1. Tate Handle Sleeve**
Finish: (please tick)
 C BG MB BN GM BBZ GB
- 2. Tate Handle**
Finish: (please tick)
 C BG MB BN GM BBZ
- 3. Tate Shower Faceplate**
Finish: (please tick)
 C BG MB BN GM BBZ
- 4. Tate Shower Mixer Sleeve & Dome Cover**
Finish: (please tick)
 C BG MB BN GM BBZ